

Fiber Optic Connector accessories

Edition 2018/09



Excellence in connectivity solutions



Your partner for system solutions

The HUBER+SUHNER Group is a leading global supplier of components and systems for electrical and optical connectivity. Core capabilities in radio frequency, fiber optic and low frequency technology are united under a single roof. The success of the company's high-grade standard products and customised applications based on its cutting edge-know how in radio frequency and microwave technology, supported by advanced simulation processes.

HUBER+SUHNER offers a wide range of fibre optical connectors, optimised for fix or mobile applications at indoor and outdoor areas. Due to new market demands innovative products are developed and tested according to international standards, which fulfil high mechanical and thermal conditions as well as fire requirements.



Connector accessories

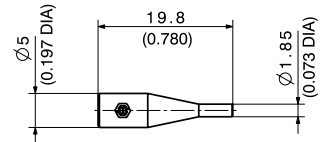
The best connector and the best cable is not usable without accessories. Therefore, HUBER+SUHNER is providing crimp sleeves and boots in a big variety and reliable quality.

Boots and crimp sleeves

For cable diameter < 1.0 mm

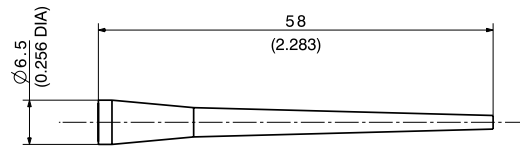
LSH, FC, SC, LSA, FSMA, ST (big form factor)

- Halogen free and flame retardant material according to UL 94 V-0



Cable-Ø	Boot colour							Packing unit
	Black	Green	Red	Yellow	Blue	Beige	Aqua	
< 1.0 mm	23003203	23017894	84005612	84005611	84005610	84132194	85002463	1000

- Halogen free and flame retardant material according to UL 94 HB



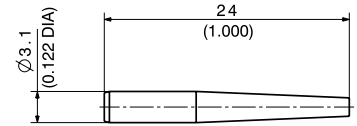
Cable-Ø	Boot colour				Packing unit
	Black	Green	Red	Blue	
< 1.0 mm	84057551	84057595	84057596	84057599	1000

Boots and crimp sleeves

For cable diameter < 1.0 mm

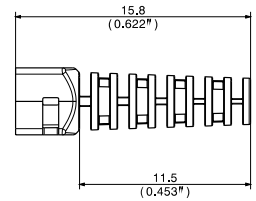
LX.5 (small form factor)

- Halogen free and flame retardant material according to UL 94 V-0



Cable-Ø	Boot colour			Packing unit
	Black	Green	Blue	
< 1.0 mm	23034533	23034534	84005613	1000

- Halogen free and flame retardant material according to UL 94 V-0
- Boot marker available



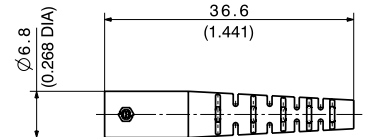
Cable-Ø	Boot colour									Packing unit
	Black	Green	Red	Yellow	Blue	Beige	Aqua	Heather-violet	White	
0.6 - 0.9 mm	85015765	85015761	85015767	85015768	85015760	85015762	85015764	85015763	85015766	1000

Boots and crimp sleeves

For cable diameter > 1.4 mm

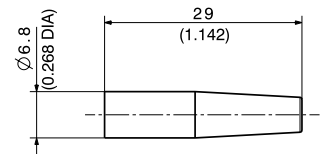
LSH, FC, SC, LSA, FSMA, ST (except ST security) (big form factor)

- Halogen free and flame retardant material according to UL 94 HB



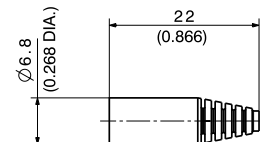
Cable-Ø	Crimp sleeve Item no.	Boot colour						Packing unit
		Black	Green	Red	Yellow	Blue	Beige	
1.4 - 1.9 mm	84035930	84005334	84005336	84005337	84005341	84005390	84072437	1000
2.0 mm	23016741							
2.1 - 2.3 mm	84035915							
2.4 - 2.6 mm	84035913							
2.7 - 2.9 mm	84035912	23014820	84005353	23022846	84005354	84005355	84072441	
3.0 - 3.2 mm	84035927							

- Halogen free and flame retardant material according to UL 94 HB



Cable-Ø	Crimp sleeve Item no.	Packing unit crimp sleeves	Boot colour		Packing unit boots
			Black	Green	
3.3 - 3.5 mm	84035709	1000	84057623	84057625	100

- Halogen free and flame retardant material according to UL 94 HB

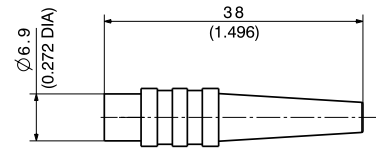


Cable-Ø	Crimp sleeve Item no.	Boot colour					Packing unit
		Black	Green	Red	Blue	Beige	
1.4 - 1.9 mm	84035930	23030670	23026987	84089698	23026986	84089697	1000
2.0 mm	23016741						
2.1 - 2.2 mm	84035915						

Boots and crimp sleeves

ST security (big form factor)

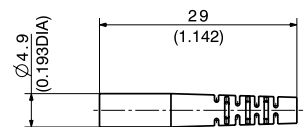
- Halogen free and flame retardant material according to UL 94 HB
- For ST-SEC connectors



Cable-Ø	Crimp sleeve item no.	Boot black item no.	Packing unit
< 1.0 mm	-	84057551	100
2.0 - 2.3 mm	84035924	84057626	
2.7 - 2.8 mm	84035682		
2.9 mm	84035682	84057627	
3.5 mm	84035685	84057627	
3.6 - 3.7 mm	84035685	84057629	
4.5 mm	84035693	84057629	

LX.5, LC (small form factor)

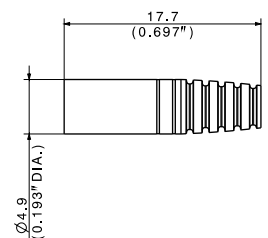
- Halogen free and flame retardant material according to UL 94 HB



Cable-Ø	Crimp sleeve item no.	Boot colour						Packing unit
		Black	Green	Red	Yellow	Blue	Beige	
1.4 - 1.7 mm	84035633	23026769	84005356	84005357	84005358	84005359	84089607	1000
1.8 - 1.9 mm	84038483							
2.0 mm	84035661							
2.1 - 2.2 mm	84035636							
2.3 - 2.5 mm	84035654							
2.6 - 2.8 mm	84035662	84013101	84042732	84042730	84042728	84042726	84091282	

LC, LX.5, Blink, Klik (small form factor)

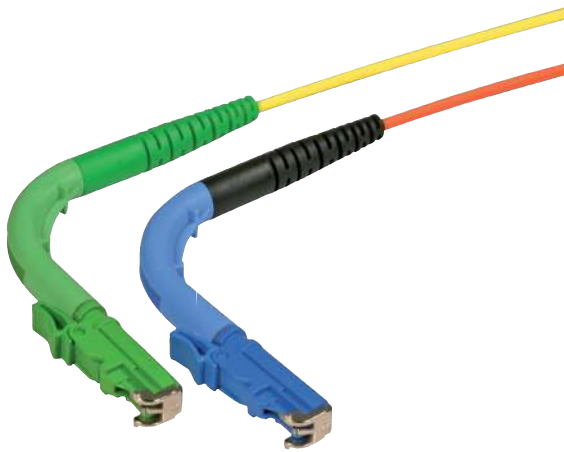
- Halogen free and flame retardant material according to UL 94 HB



Cable-Ø	Boot colour					Packing unit
	Black	Green	Red	Blue	White	
1.4 - 2.7 mm	85015720	85015716	85015745	85015715	85015747	1000

Angled boots and crimp sleeves

LSH, SC, FC, LSA, ST, FSMA (big form factor)

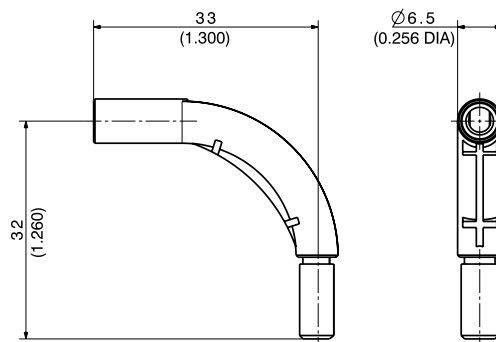


Designed to install LSH, SC, FC, LSA, ST and FSMA connectors into racks with tight space conditions. The 90° boot is used in addition to a standard crimpset and guarantees the minimal bending radius.

Specifications

Cable diameter	1.4 - 2.9 mm
Minimal bending radius	20 mm
Material	halogen free and flame retardant according to UL 94 V-0
Colour	green/blue/beige

Cable Ø	Crimp sleeve Item no.	Packing unit crimp sleeve	Boot colour			Packing unit boots
			Green	Blue	Beige	
1.4 - 1.9 mm	84035930	1000	63128300	63128301	63128302	100
2.0 mm	23016741					
2.1 - 2.3 mm	84035915					
2.4 - 2.6 mm	84035913					
2.7 - 2.9 mm	84035912					



Angled boots and crimp sleeves

LX.5, LC (small form factor)

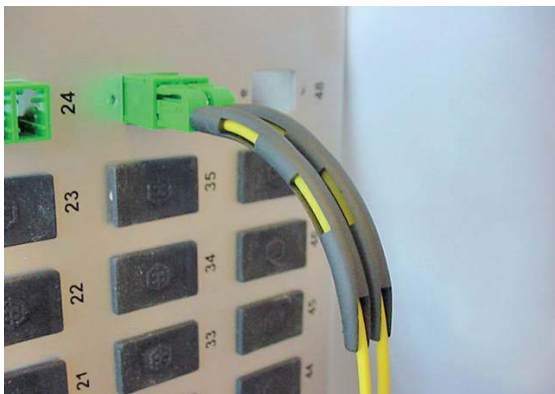
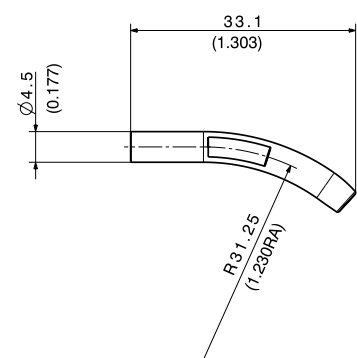
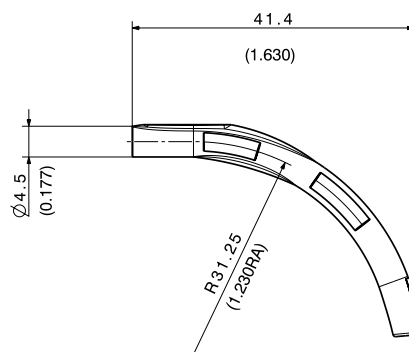
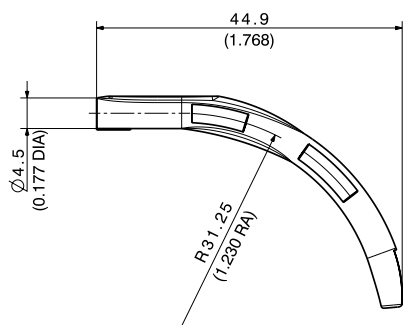


These angled boots are designed to install LX.5 and LC connectors into racks with tight space conditions.

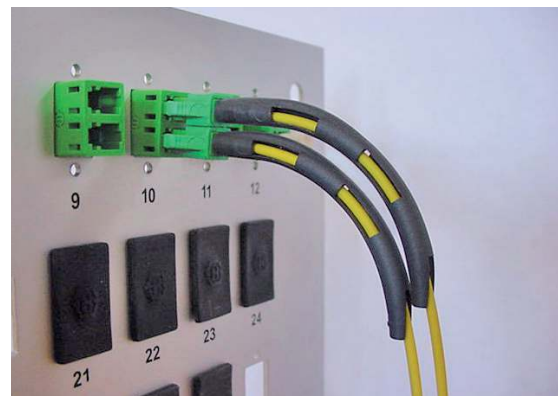
Specifications

Cable diameter	1.4 - 2.5 mm
Side load resistance	20 N (also for 1.7 mm cable)
Minimal bending radius	30 mm
Material	halogen free and flame retardant according to UL 94 V-0
Colour	black

Cable-Ø	Crimp sleeve Item no.	Packing unit crimp sleeve	1 = 90° angled boot, long	2 = 90° angled boot, standard	3 = 45° angled boot	Packing unit boots
1.4 - 1.7 mm	84035633	1000	84034664	84034663	84034662	100
1.8 - 1.9 mm	84038483					
2.0 mm	84035661					
2.1 - 2.2 mm	84035636					
2.3 - 2.5 mm	84035654					
2.6 - 2.7 mm	84035662					



90° boot in horizontally mounted duplex adaptors



90° boot in vertically mounted duplex adaptors

Universal dust cap strap

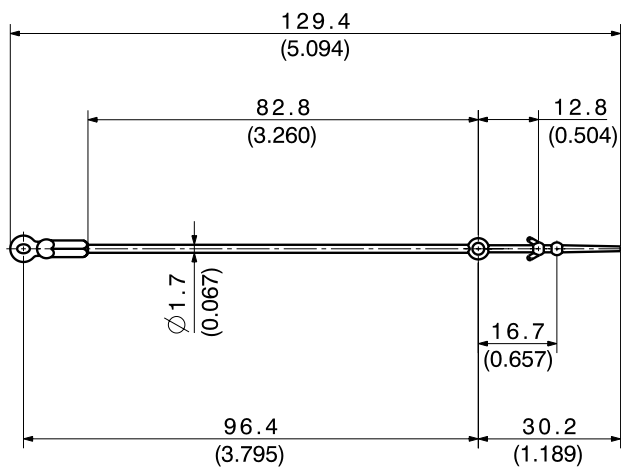


- Fits all HUBER+SUHNER connector dust caps
- For cable diameters up to 3.5 mm
- Flexible and universally applicable
- Mountable after connector termination

Specifications

Material	TPE halogen free and flame retardant acc. to UL 94 V-0
Temperature range	-60 to +85 °C
Colour	black

Item no.	Type	Packing unit
84020776	ACC-STR-001_100-P	100
84019782	ACC-STR-001_1000-P	1000



Boot marker

LC TB BTW/ LC BTW/ SC BTW

- Halogen free and flame retardant material according to UL 94 V-0



Boot marker colour			Packing unit
White	Yellow	Red	100
85017531	85017530	85017529	

HUBER+SUHNER AG
Fiber Optics Division
Degersheimerstrasse 14
9100 Herisau
Switzerland
Phone +41 71 353 4111
info@hubersuhner.com
hubersuhner.com

HUBER+SUHNER is certified according to EN 9100, ISO 9001, ISO 14001, ISO/TS 16949 and IRIS.

Waiver

Fact and figures herein are for information only and do not represent any warranty of any kind.